

TITLE: **UNICA START - 8 BOTT.**

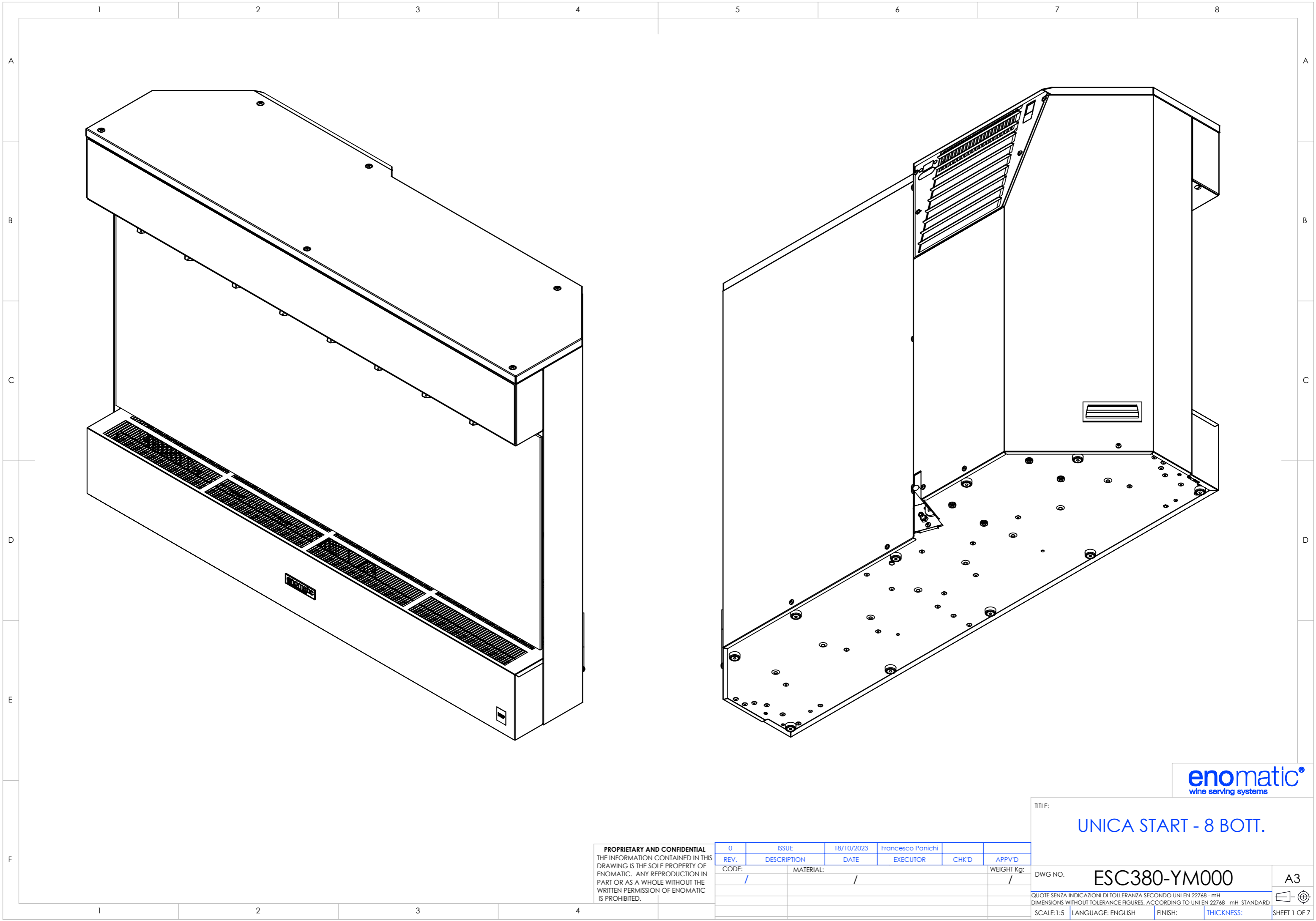
DWG NO. **ESC380-YM000**

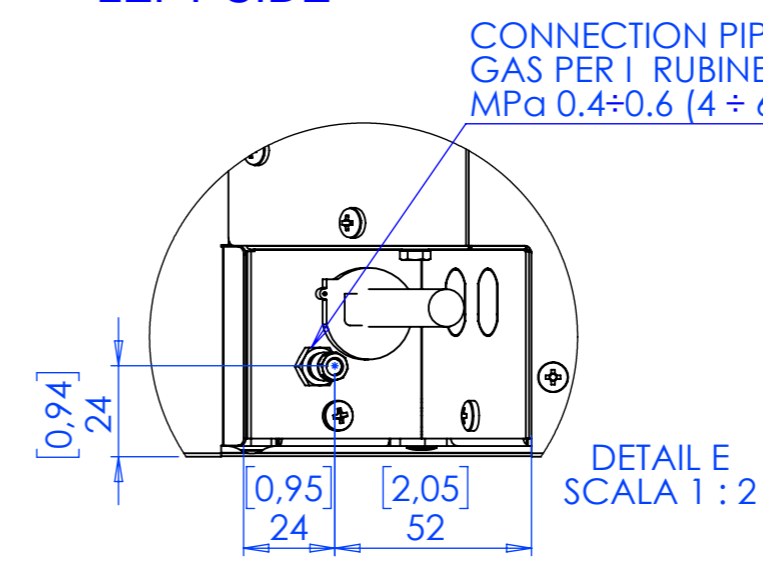
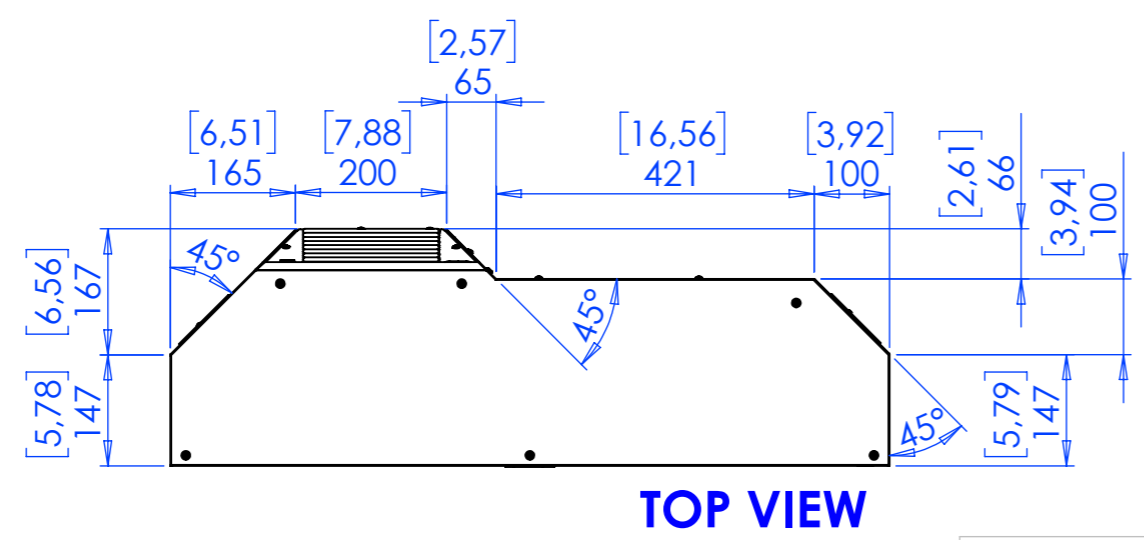
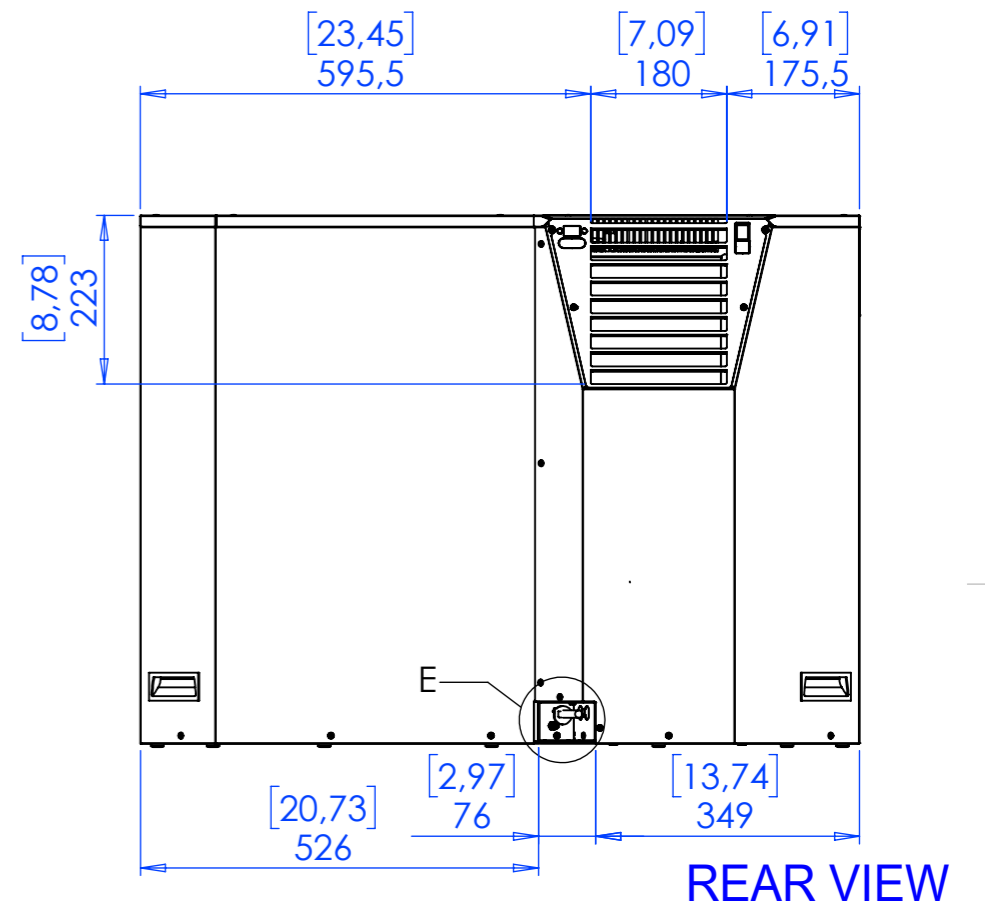
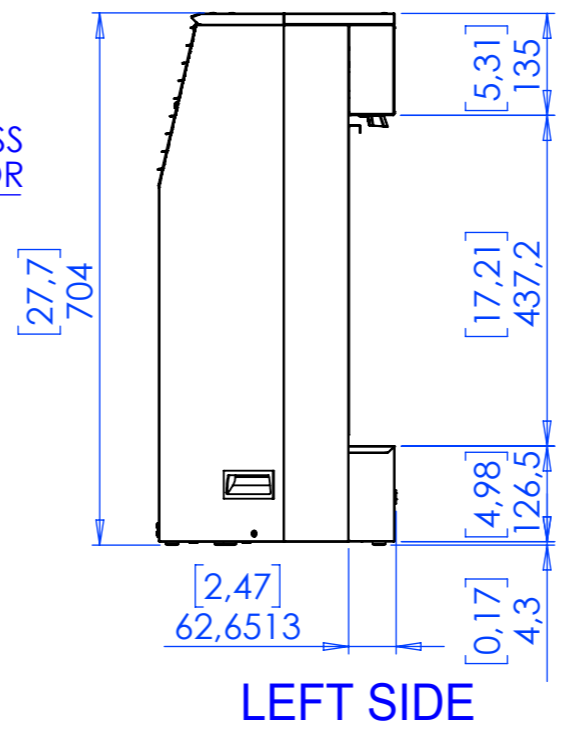
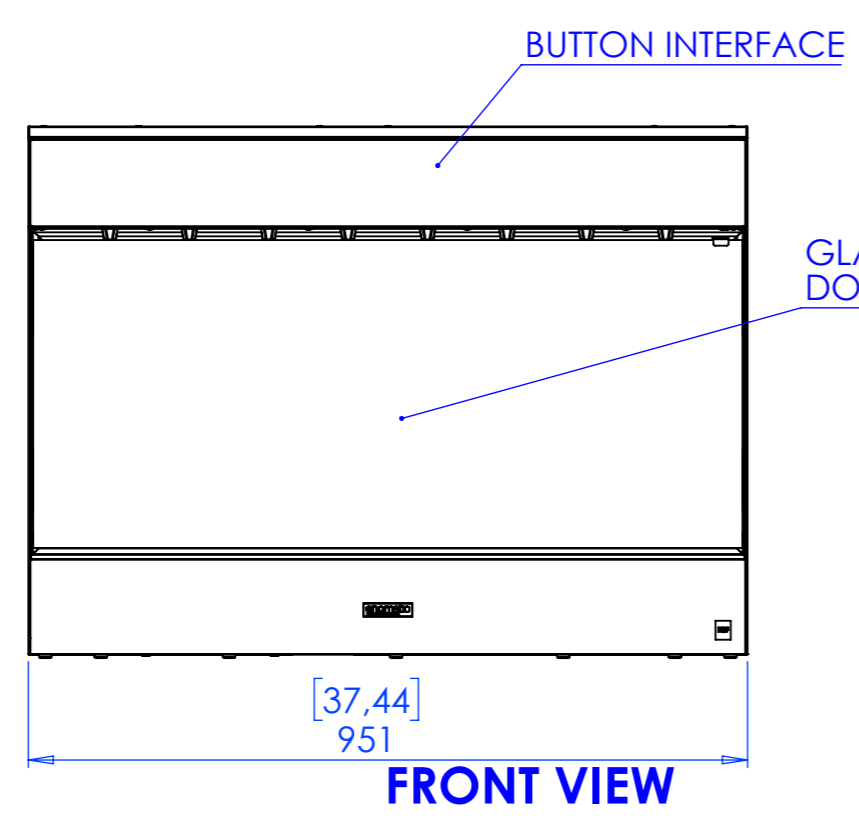
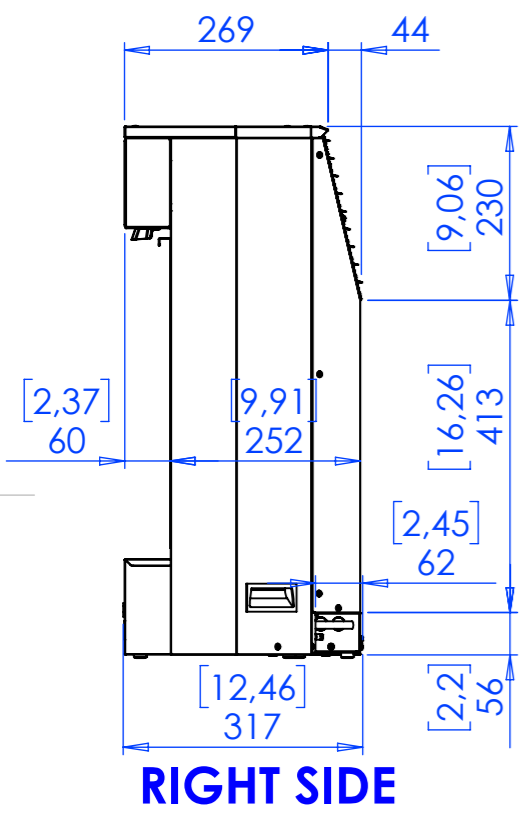
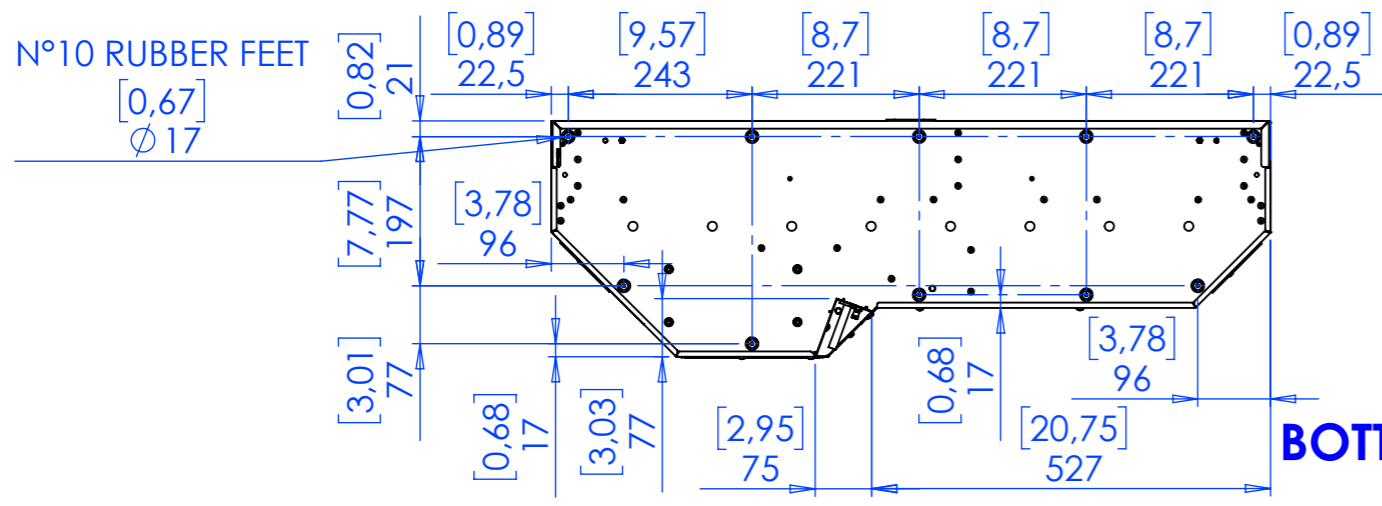
SCALE: 1:5 LANGUAGE: ENGLISH FINISH: THICKNESS:

A3 SHEET 1 OF 7

PROPRIETARY AND CONFIDENTIAL
 THE INFORMATION CONTAINED IN THIS DRAWING IS THE SOLE PROPERTY OF ENOMATIC. ANY REPRODUCTION IN PART OR AS A WHOLE WITHOUT THE WRITTEN PERMISSION OF ENOMATIC IS PROHIBITED.

| REV. | DESCRIPTION | DATE | EXECUTOR | CHK'D | APPV'D |
|-------|-------------|------------|-------------------|-------|------------|
| 0 | ISSUE | 18/10/2023 | Francesco Panichi | | |
| CODE: | MATERIAL: | | | | WEIGHT Kg: |
| / | / | | | | / |





CONNECTION PIPE ϕ 4mm O.D. (ϕ 2.5 I.D.)
 GAS PER I RUBINETTI AZOTO O ARGON (N₂ O Ar)
 MPa 0.4÷0.6 (4 ÷ 6 Bar)

NOTE
 - ALL DIMENSIONS ARE IN mm [inches]

PROPRIETARY AND CONFIDENTIAL
 THE INFORMATION CONTAINED IN THIS DRAWING IS THE SOLE PROPERTY OF ENOMATIC. ANY REPRODUCTION IN PART OR AS A WHOLE WITHOUT THE WRITTEN PERMISSION OF ENOMATIC IS PROHIBITED.

| REV. | DESCRIPTION | DATE | EXECUTOR | CHK'D | APPV'D |
|-------|-------------|------|----------|-------|------------|
| CODE: | MATERIAL: | | | | WEIGHT Kg: |
| / | / | / | / | / | / |

enomatic®
 wine serving systems

TITLE: **UNICA START - 8 BOTT.**

DWG NO. **ESC380-YM000**

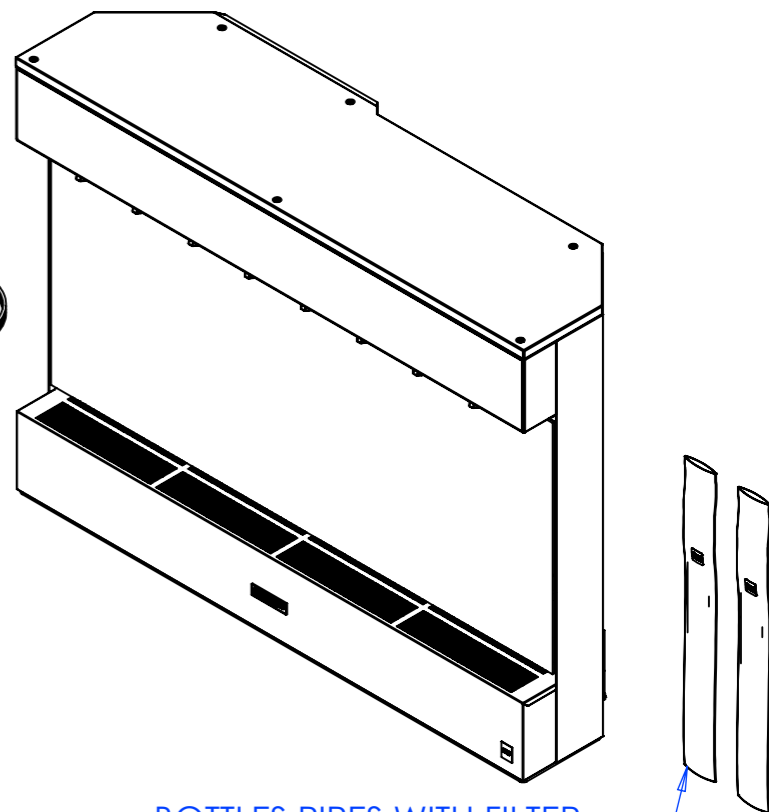
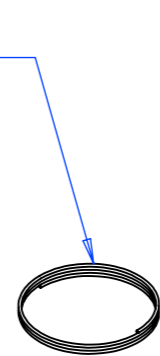
SCALE: 1:10 LANGUAGE: ENGLISH FINISH: THICKNESS: A3

QUOTE SENZA INDICAZIONI DI TOLLERANZA SECONDO UNI EN 22768 - mH
 DIMENSIONS WITHOUT TOLERANCE FIGURES, ACCORDING TO UNI EN 22768 - mH STANDARD

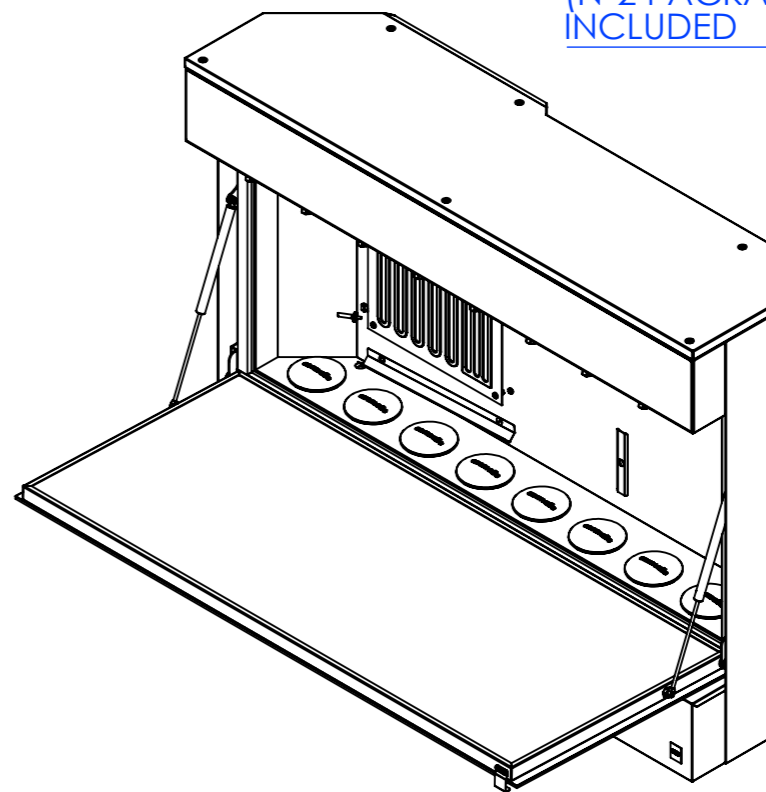
SHEET 2 OF 7

| UNICA START - 8 BOTTLES | | | | | | | |
|---|----------------------------------|-------------------------------------|---------------|-----|-----|---------|--|
| SIZE | HEIGHT (MIN -MAX) | 704 mm [27.72] | | | | | |
| | DEPTH | 317 mm [12.48] | | | | | |
| | WIDTH | 951 mm [37.44] | | | | | |
| WEIGHT (Kg) | 55 Kg | | | | | | |
| FINISH MATERIALS | STAINLESS STEEL AISI 304 - GLASS | | | | | | |
| ELETRICAL FEATURES | AVAILABLE MODEL | VOLTAGE (V) | 100 | 120 | 127 | 220-240 | |
| | | FREQUENCY (Hz) | 50-60 | 60 | 60 | 50-60 | |
| | R600a | AMPS (A) | 1.1 | 1 | 1.1 | 0.5 | |
| REFRIGERATION SPECIFICATION | REFRIGERATION GAS | R600a | | | | | |
| | TEMPERATURE CONTROL | ELECTRONIC CONTROLLER | | | | | |
| | DEFROST METHOD | AUTOMATIC VIA ELECTRONIC CONTROLLER | | | | | |
| | METHOD FOR TEMPERATURES CONTROL | LED | | | | | |
| PRESSURE GAS INLET FOR TAPS (ARGON OR NITROGEN) | MPa 0.4÷0.6 (4÷6 Bar) | | | | | | |
| ACCEPTED BOTTLES | HEIGHT | 233÷350mm [8.66÷14.37] | | | | | |
| | Ø MAX | TAP 1 | 105 mm [4.13] | | | | |
| | | TAP 2 | 101 mm [3.98] | | | | |
| | | TAP 3 | 93 mm [3.66] | | | | |
| | | TAP 4 | 90 mm [3.54] | | | | |
| | | TAP 5 | 97 mm [3.82] | | | | |
| | | TAP 6 | 105 mm [4.13] | | | | |
| | | TAP 7 | 105 mm [4.13] | | | | |
| | | TAP 8 | 105 mm [4.13] | | | | |

3 METERS OF PIPE
 Ø4mm O.D.
 (Ø2.5 I.D.)
 INCLUDED



BOTTLES PIPES WITH FILTER
 (N°2 PACKAGES OF 5 PIECES)
 INCLUDED



NOTE

- ALL DIMENSIONS ARE IN mm [inches]

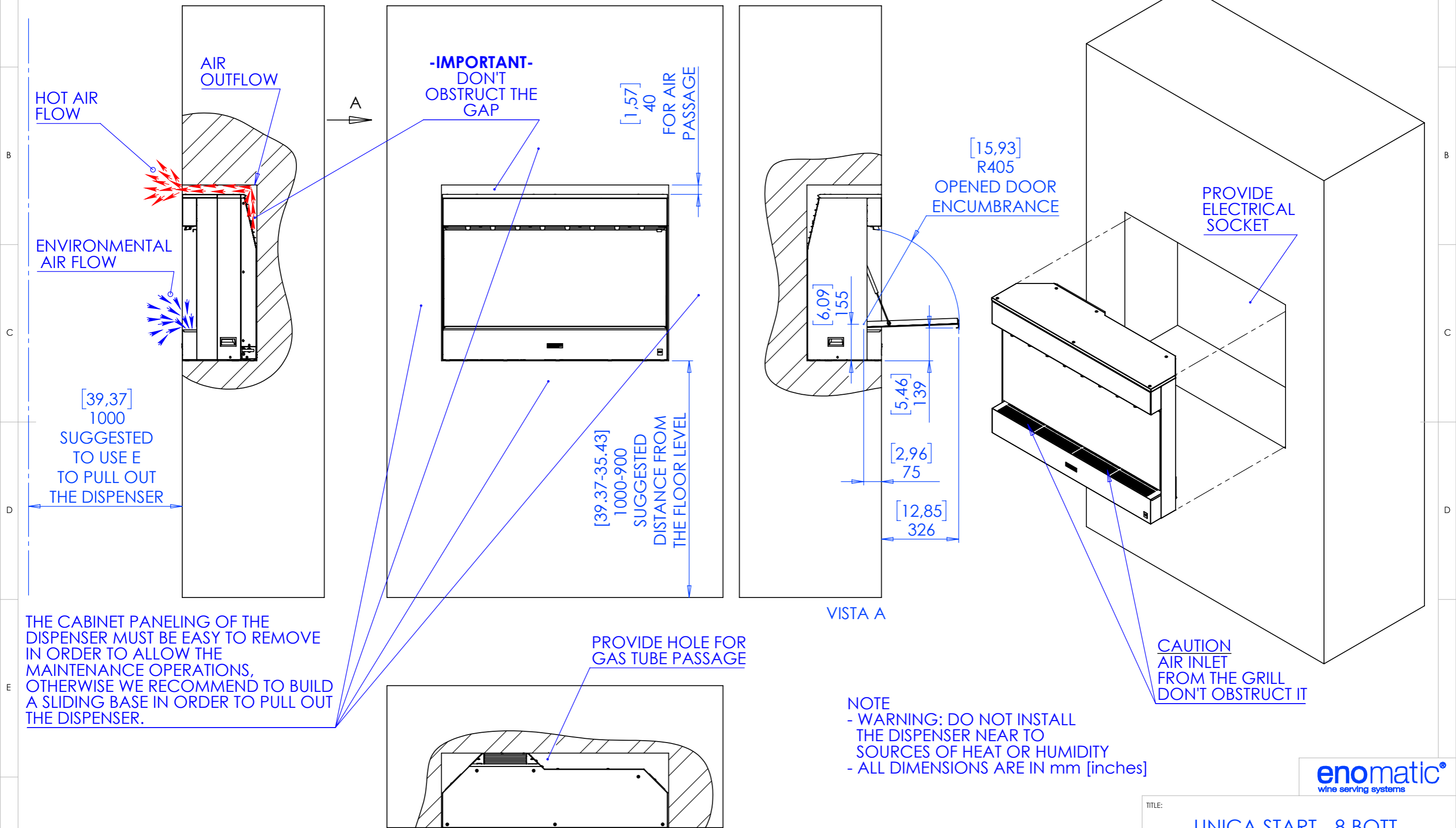
PROPRIETARY AND CONFIDENTIAL
 THE INFORMATION CONTAINED IN THIS DRAWING IS THE SOLE PROPERTY OF ENOMATIC. ANY REPRODUCTION IN PART OR AS A WHOLE WITHOUT THE WRITTEN PERMISSION OF ENOMATIC IS PROHIBITED.

| REV. | DESCRIPTION | DATE | EXECUTOR | CHK'D | APPV'D |
|-------|-------------|------|----------|-------|------------|
| CODE: | MATERIAL: | | | | WEIGHT Kg: |
| / | / | / | / | / | / |

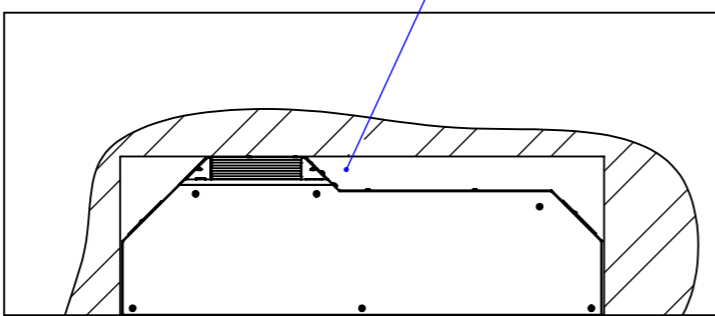


| | | | |
|---|-----------------------|---------|------------|
| TITLE: | UNICA START - 8 BOTT. | | |
| DWG NO. | ESC380-YM000 | A3 | |
| SCALE:1:10 | LANGUAGE: ENGLISH | FINISH: | THICKNESS: |
| QUOTE SENZA INDICAZIONI DI TOLLERANZA SECONDO UNI EN 22768 - mH | | | |
| DIMENSIONS WITHOUT TOLERANCE FIGURES, ACCORDING TO UNI EN 22768 - mH STANDARD | | | |
| SHEET 4 OF 7 | | | |

1 - EXAMPLE OF INSTALLATION - POSITIONING IN FORESEEN BOX (REFER TO MINIMAL REQUIRED CLEARANCE FOR PROPER PERFORMANCES)



THE CABINET PANELING OF THE DISPENSER MUST BE EASY TO REMOVE IN ORDER TO ALLOW THE MAINTENANCE OPERATIONS, OTHERWISE WE RECOMMEND TO BUILD A SLIDING BASE IN ORDER TO PULL OUT THE DISPENSER.



PROVIDE HOLE FOR GAS TUBE PASSAGE

NOTE
 - WARNING: DO NOT INSTALL THE DISPENSER NEAR TO SOURCES OF HEAT OR HUMIDITY
 - ALL DIMENSIONS ARE IN mm [inches]

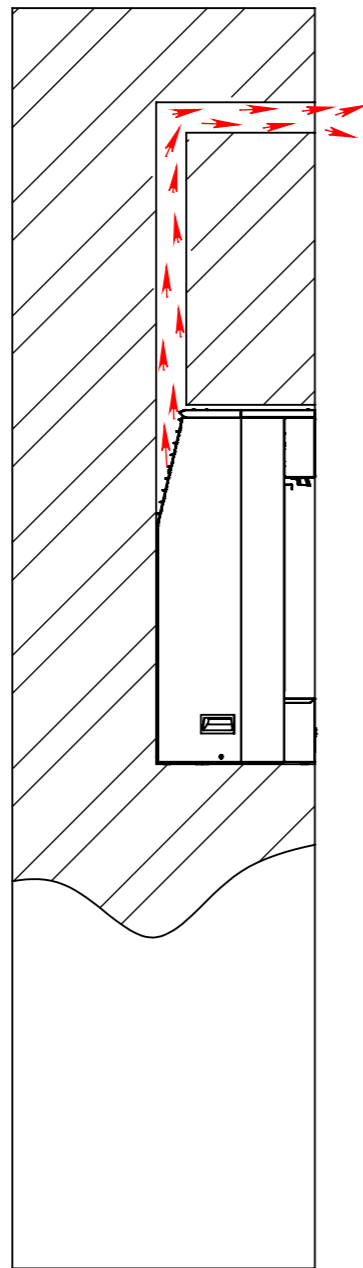
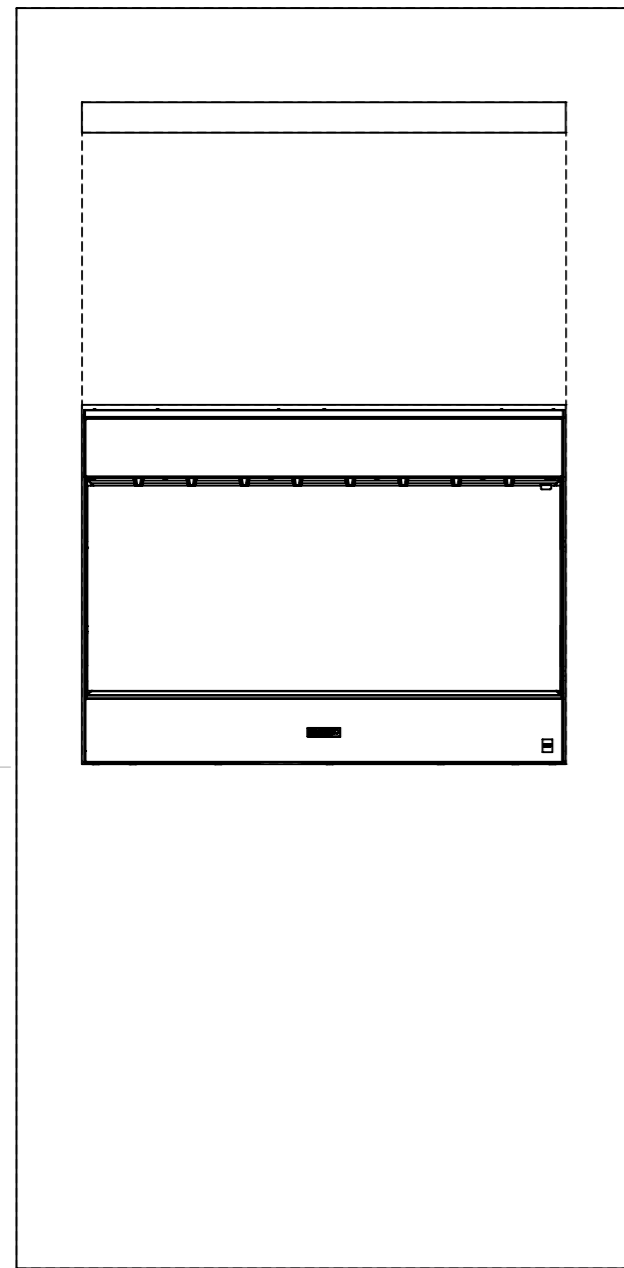


| | | | |
|--|-------------------|-----------------------|------------|
| TITLE: | | UNICA START - 8 BOTT. | |
| DWG NO. | ESC380-YM000 | A3 | |
| QUOTE SENZA INDICAZIONI DI TOLLERANZA SECONDO UNI EN 22768 - mH DIMENSIONS WITHOUT TOLERANCE FIGURES, ACCORDING TO UNI EN 22768 - mH STANDARD | | | |
| SCALE:1:15 | LANGUAGE: ENGLISH | FINISH: | THICKNESS: |
| SHEET 5 OF 7 | | | |

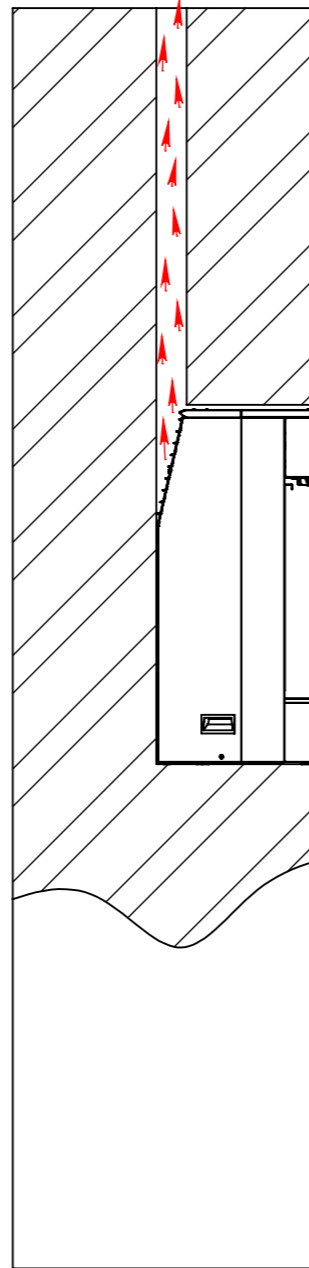
PROPRIETARY AND CONFIDENTIAL
 THE INFORMATION CONTAINED IN THIS DRAWING IS THE SOLE PROPERTY OF ENOMATIC. ANY REPRODUCTION IN PART OR AS A WHOLE WITHOUT THE WRITTEN PERMISSION OF ENOMATIC IS PROHIBITED.

| REV. | DESCRIPTION | DATE | EXECUTOR | CHK'D | APPV'D |
|-------|-------------|------|----------|-------|------------|
| CODE: | MATERIAL: | | | | WEIGHT Kg: |
| / | / | / | / | / | / |

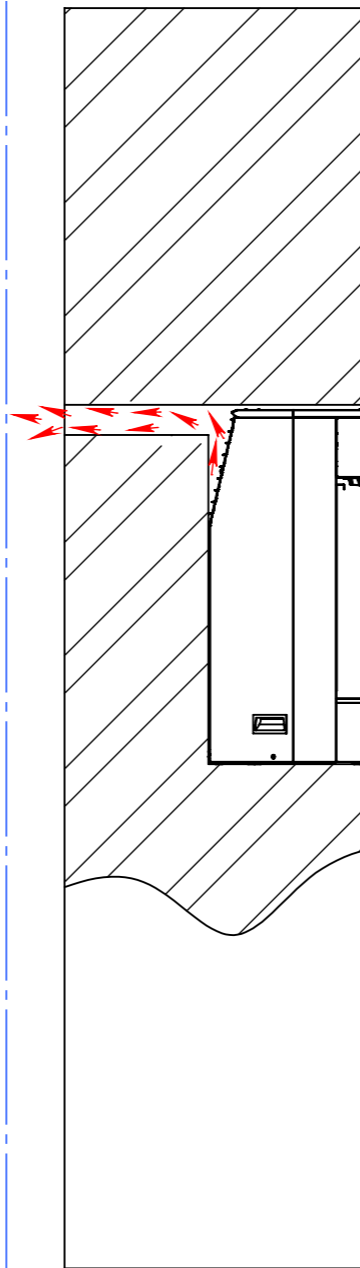
**3 - N°4 EXAMPLE OF INSTALLATION - BUILT-IN POSITIONING -
PASSAGE OF AIR FOR EACH DISPENSER BIGGER OF 10000 mm² [15,5 in²]**



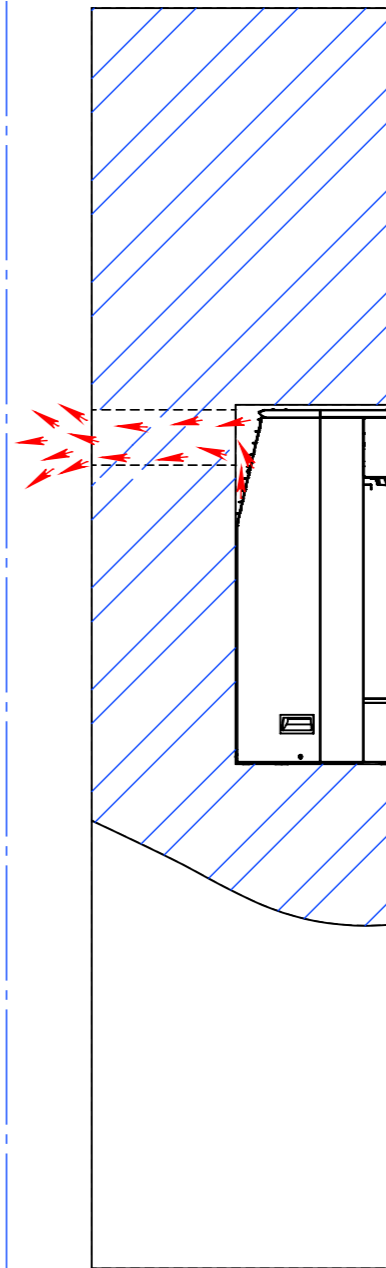
1



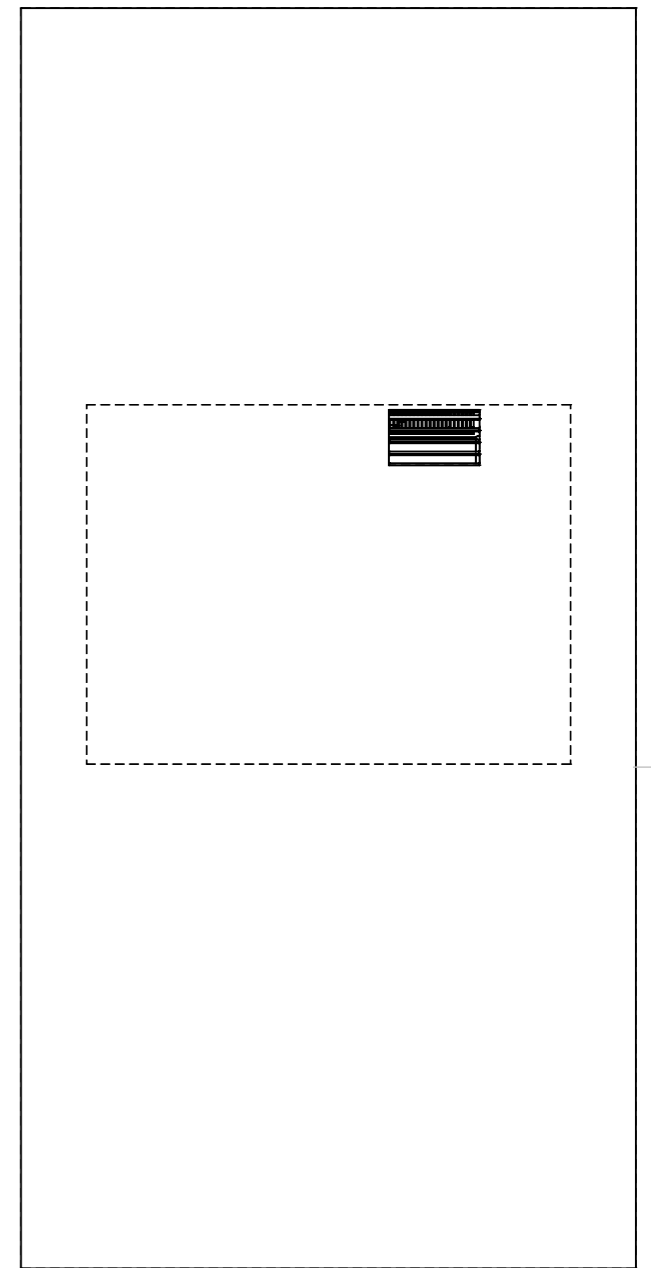
2



3



4



enomatic[®]
wine serving systems

TITLE:

UNICA START - 8 BOTT.

PROPRIETARY AND CONFIDENTIAL
THE INFORMATION CONTAINED IN THIS DRAWING IS THE SOLE PROPERTY OF ENOMATIC. ANY REPRODUCTION IN PART OR AS A WHOLE WITHOUT THE WRITTEN PERMISSION OF ENOMATIC IS PROHIBITED.

| REV. | DESCRIPTION | DATE | EXECUTOR | CHK'D | APPV'D |
|-------|-------------|------|----------|-------|------------|
| CODE: | MATERIAL: | | | | WEIGHT Kg: |
| / | / | | | | / |

DWG NO.

ESC380-YM000

A3

QUOTE SENZA INDICAZIONI DI TOLLERANZA SECONDO UNI EN 22768 - mH
DIMENSIONS WITHOUT TOLERANCE FIGURES, ACCORDING TO UNI EN 22768 - mH. STANDARD

SCALE:1:15

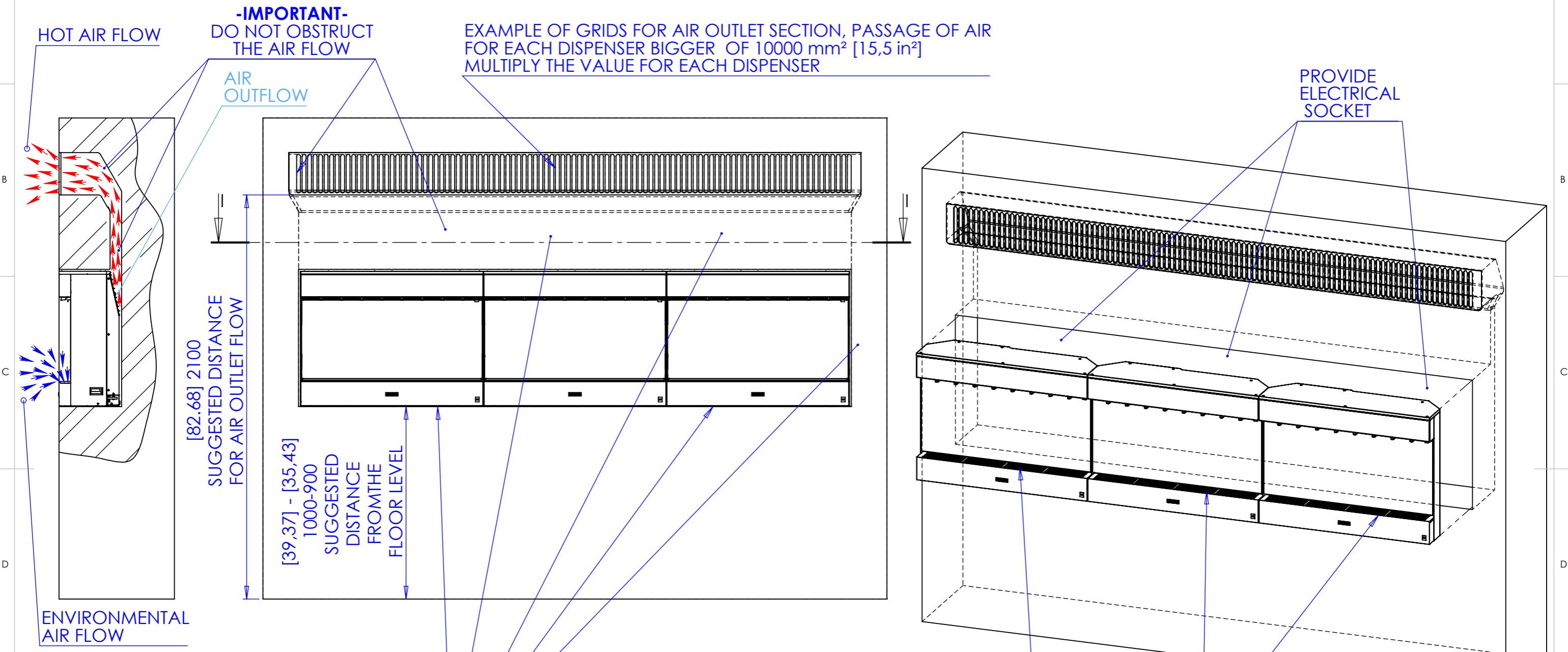
LANGUAGE: ENGLISH

FINISH:

THICKNESS:

SHEET 6 OF 7

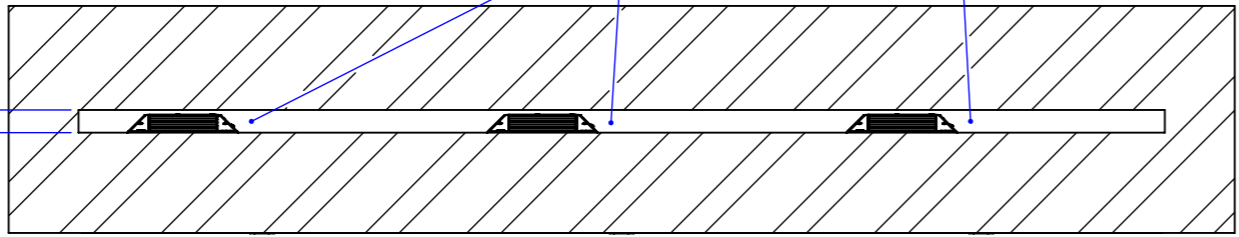
3 - EXAMPLE OF INSTALLATION - BUILT-IN POSITIONING
 (REFER TO MINIMAL REQUIRED CLEARANCE FOR PROPER PERFORMANCES)



THE CABINET PANELING OF THE DISPENSER MUST BE EASY TO REMOVE IN ORDER TO ALLOW THE MAINTENANCE OPERATIONS, OTHERWISE WE RECOMMEND TO BUILD A SLIDING BASE IN ORDER TO PULL OUT THE DISPENSER.

PROVIDE HOLE FOR GAS TUBE PASSAGE

[15,5 in²]
10000 mm²
MINIMUM SECTION
OF AIR PASSAGE



SECTION I-I

PROPRIETARY AND CONFIDENTIAL
 THE INFORMATION CONTAINED IN THIS DRAWING IS THE SOLE PROPERTY OF ENOMATIC. ANY REPRODUCTION IN PART OR AS A WHOLE WITHOUT THE WRITTEN PERMISSION OF ENOMATIC IS PROHIBITED.

NOTE
 - WARNING: DO NOT INSTALL THE DISPENSER NEAR TO SOURCES OF HEAT OR HUMIDITY
 - ALL DIMENSIONS ARE IN mm [inches]



TITLE: **UNICA START - 8 BOTTIGLIE**

DWG NO. **ESC380-YM000** A3

QUOTE SENZA INDICAZIONI DI TOLLERANZA SECONDO UNI EN 22768 - mH
 DIMENSIONS WITHOUT TOLERANCE FIGURES, ACCORDING TO UNI EN 22768 - mH STANDARD

SCALE: 1:20 LANGUAGE: ENGLISH FINISH: THICKNESS: SHEET 7 OF 7

| REV. | DESCRIPTION | DATE | EXECUTOR | CHK'D | APPV'D |
|-------|-------------|------|----------|-------|------------|
| CODE: | MATERIAL: | | | | WEIGHT Kg: |
| / | / | / | / | / | / |